

Provides several enhancements over the first generation

THE SECOND GENERATION THREE TERMINAL PACKAGE INTELLIGENT POWER DEVICE SERIES FOR PWM CONVERTER

Feature

- Integrated PWM controller and 700V high voltage MOSFET in three terminal. Package.
- Several protection circuits are included(OCL, OTP, Timer auto restart mode etc).

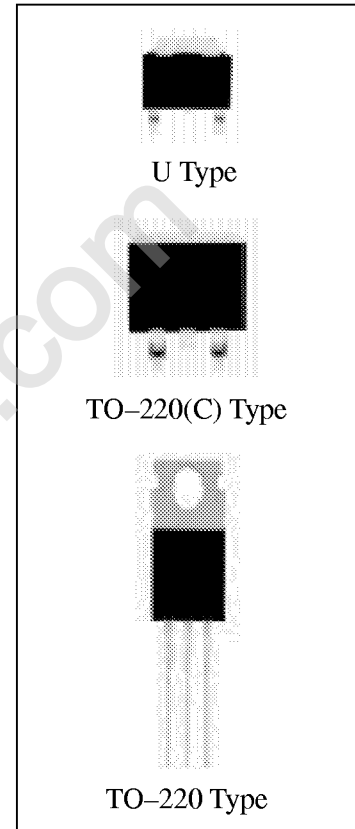
Application

- Power supply system :Flyback, Buck Boost, Forward.
- Output power :5~90W(Input voltage:85~264VAC).
- Application :AC.adapter, Charger etc.

Merit

- Reduction of size and meight(few parts).
- Simplifies design:Low noise, Reduces times time to market, Easy to design, High reliability.
- Low cost :Low assembly cost, High efficiency.

Package photograph



Line-up

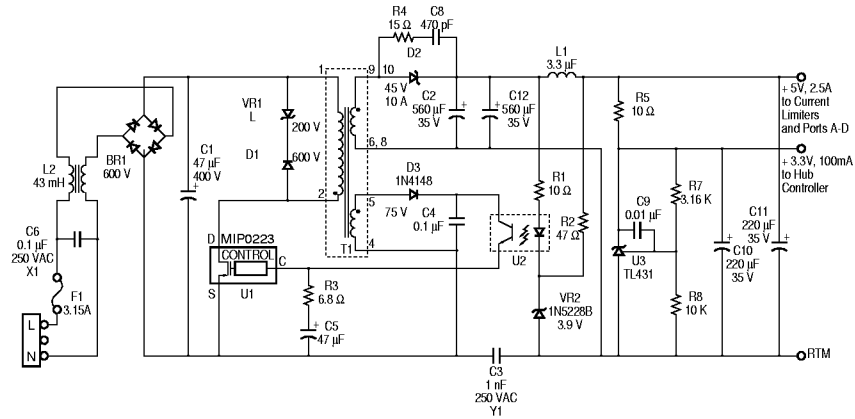
Product No.	Input Voltage	Output Power	Characteristics			Package	ES	PI. Product No.					
			V _{DSS}	I _{DP}	f _{osc}								
MIP0221SY	85~ 264VAC	0~7W	700W	0.28A	100kHz	TO-220 TO-220(C) Upack DIL-8D	yes	TOP221Y					
MIP0222SY		7~15W		0.55A				TOP222Y					
MIP0223SY		15~30W		1.10A				TOP223Y					
MIP0224SY		20~45W		1.65A				TOP224Y					
MIP0225SY		30~60W		2.20A				TOP225Y					
MIP0226SY		35~75W		2.75A				TOP226Y					
MIP0227SY		45~90W		3.30A				TOP227Y					
MIP0122SY	85~ 132VAC	30W	400V	1.25A		TO-220		TOP122Y					
MIP0123SY		60W		2.15A				TOP123Y					
MIP0124SY		80W		3.10A				TOP124Y					
MIP0125SY		120W		4.60A				TOP125Y					
MIP0129SY		150W							10.00A				TOP129Y

† The products and specifications are subject to change without any notice. Please ask for the latest Product Standards to guarantee the satisfaction of your product requirements.

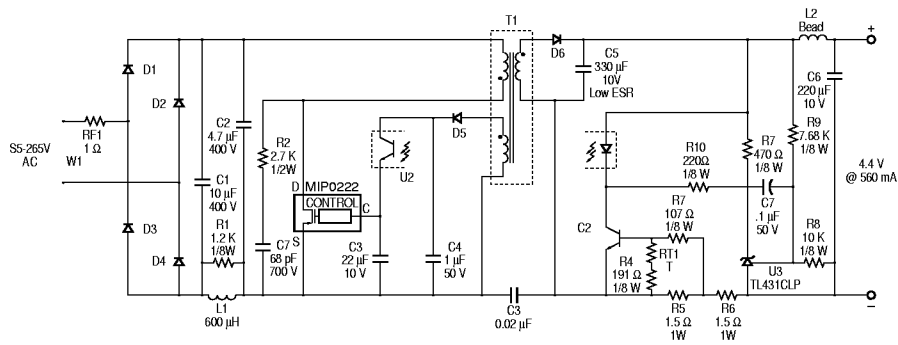
Matsushita Electronics Corporation

SWITCHING POWER SUPPLY CIRCUIT

FLYBACK TYPE

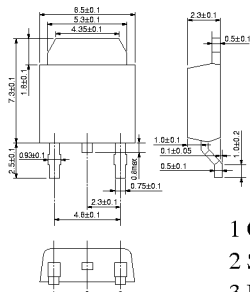


CHARGER

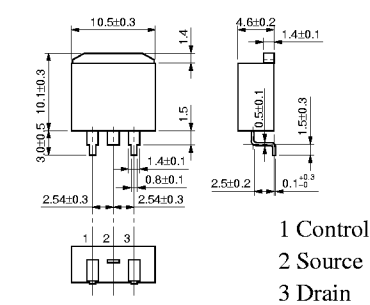


OUT-LINE

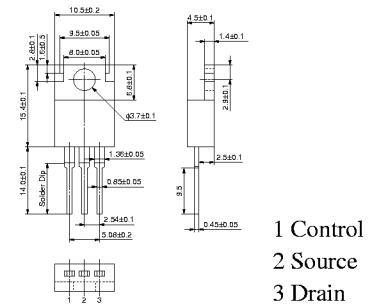
U Type



TO-220(C) Type



TO-220 Type



PROUCT No./PACKAGE TYPE

MIP022X **A** **B** **C**

Package		A	B	C
TO-220		S	Y	
TO-220(C)		S	C	Z
	SMD	S	C	Y
	SMD(Taping)	S	C	L
U-pack		S	U	Z
	SMD	S	U	Y
	SMD(Taping)	S	U	L
DIL-8D		S	P	